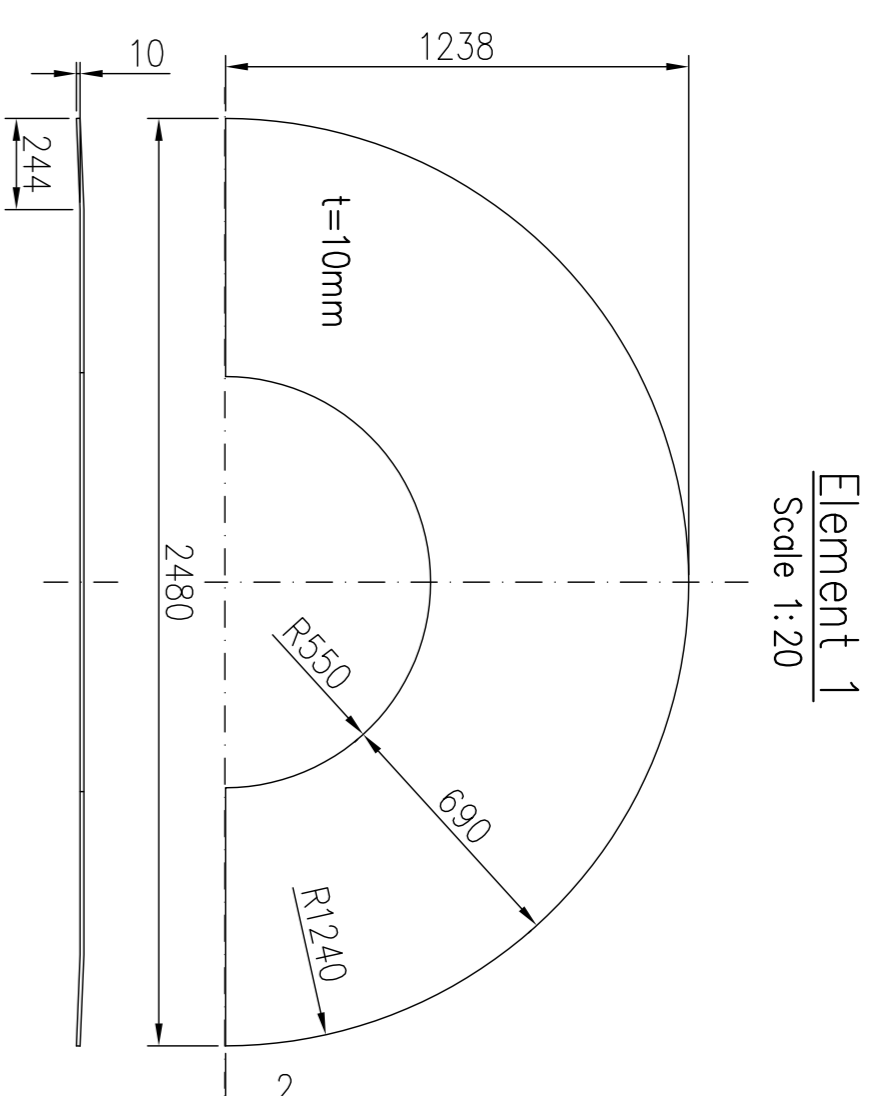
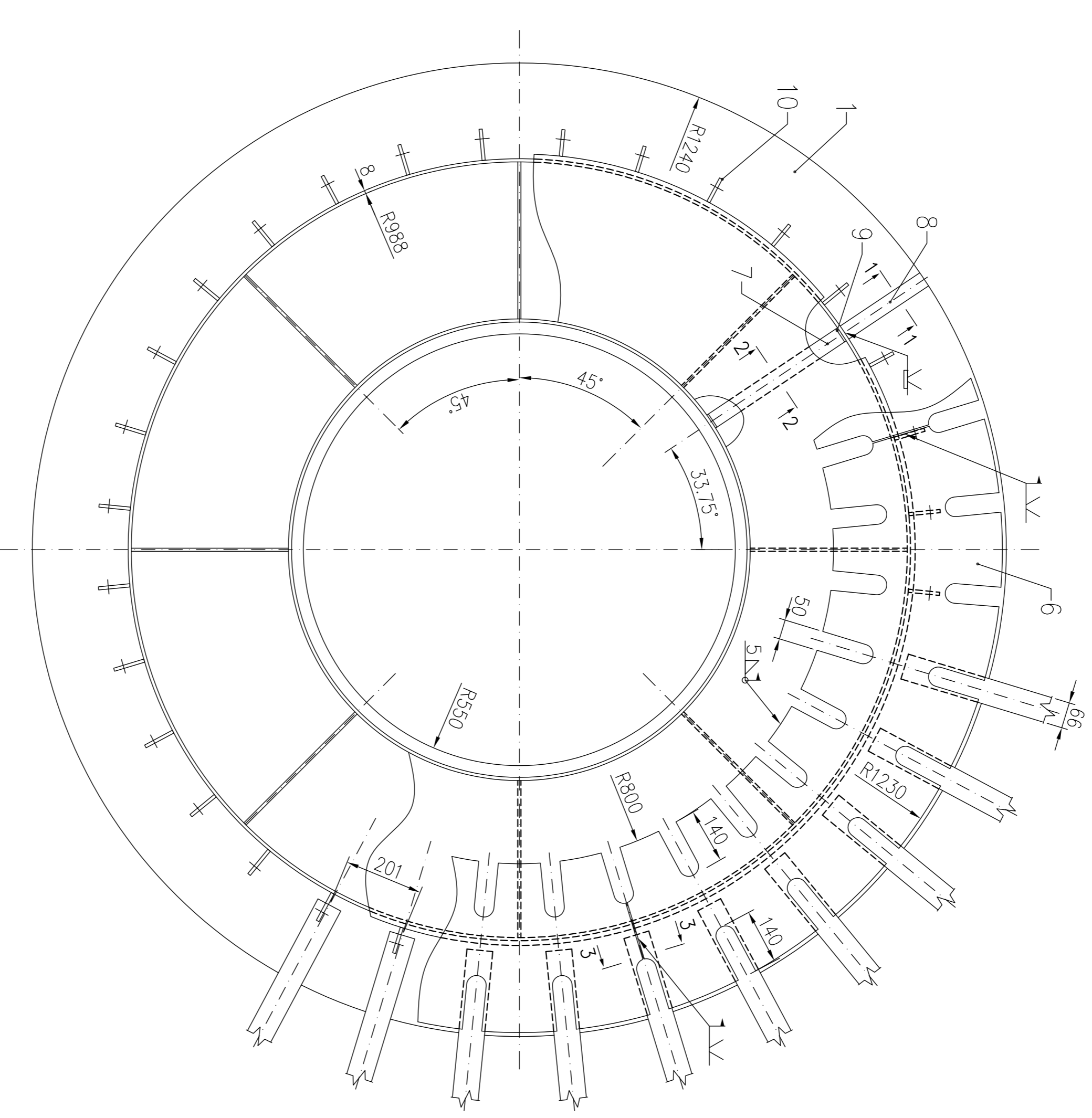
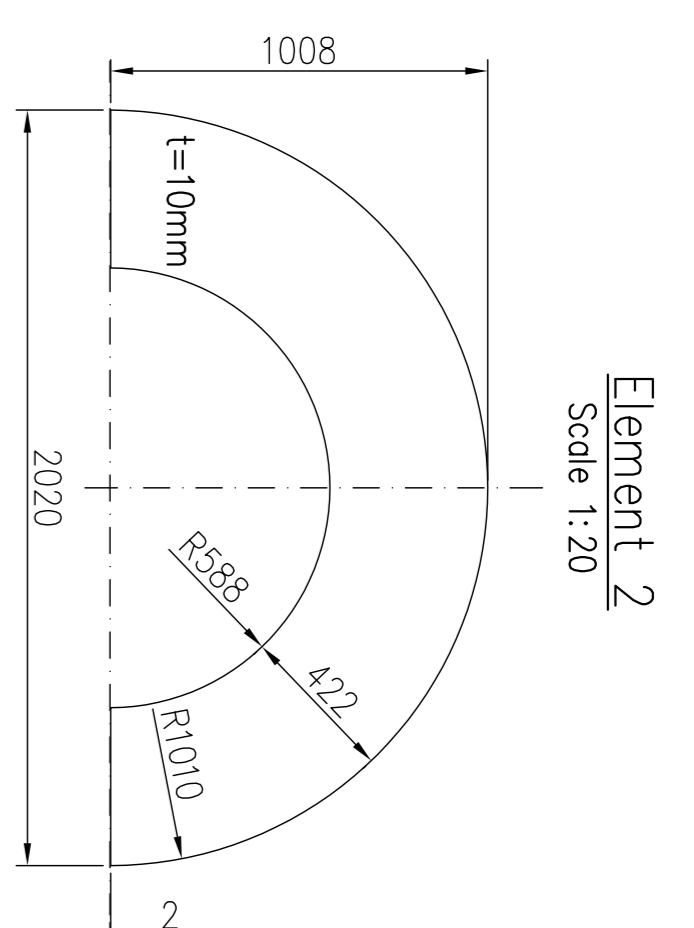


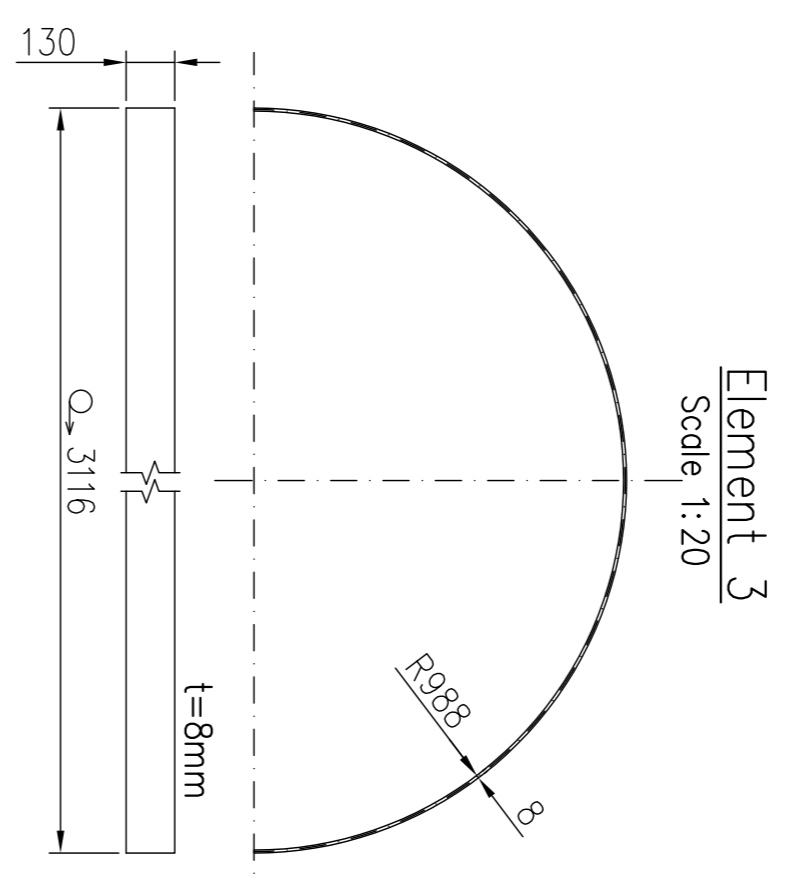
Scale 1:10



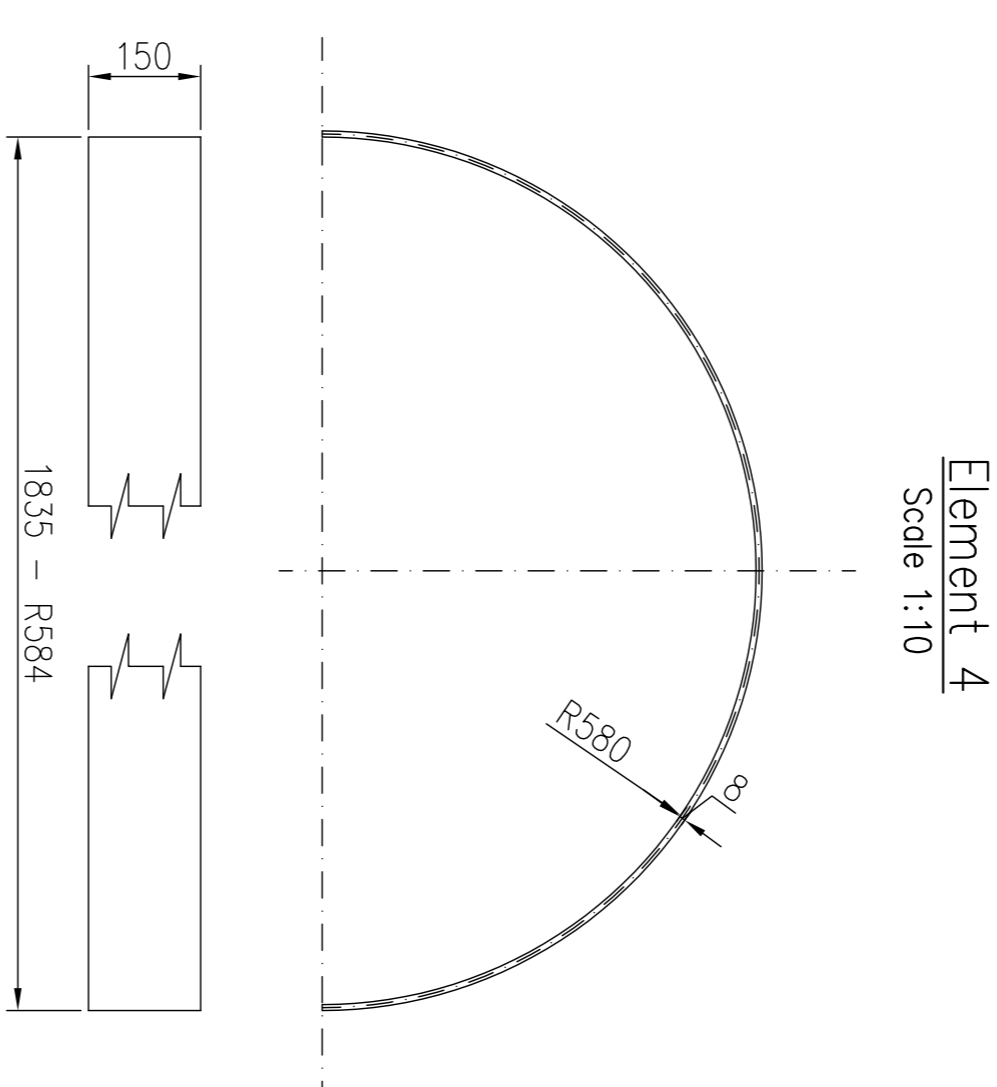
Element 1
Scale 1:20



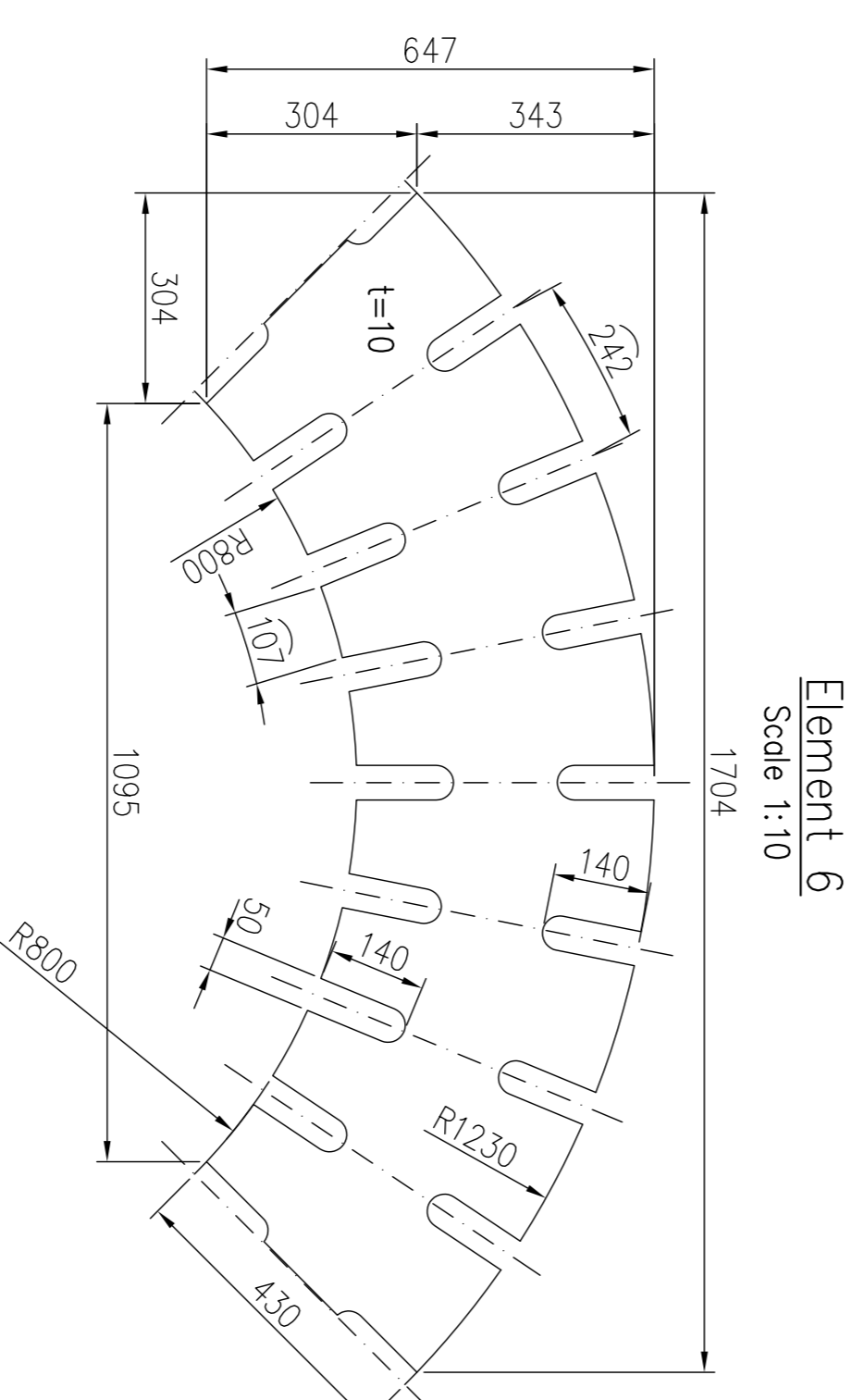
Element 2
Scale 1:20



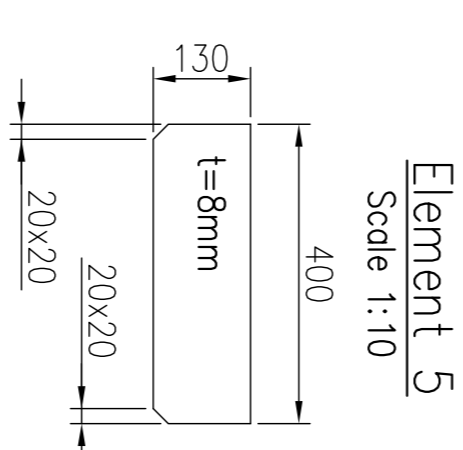
Element 3
Scale 1:20



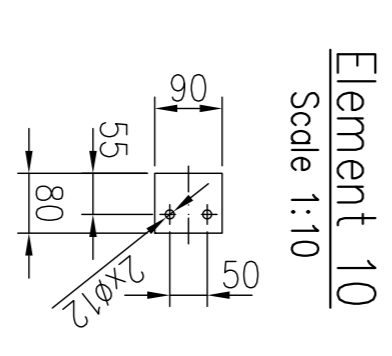
Element 4
Scale 1:10



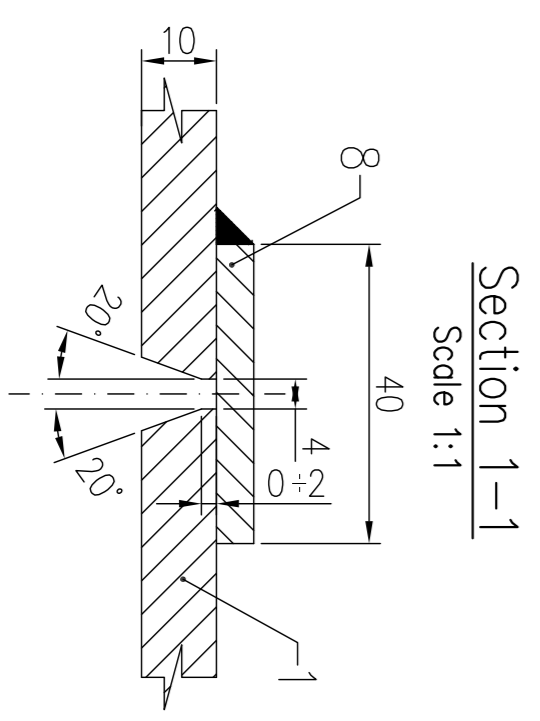
Element 6
Scale 1:10



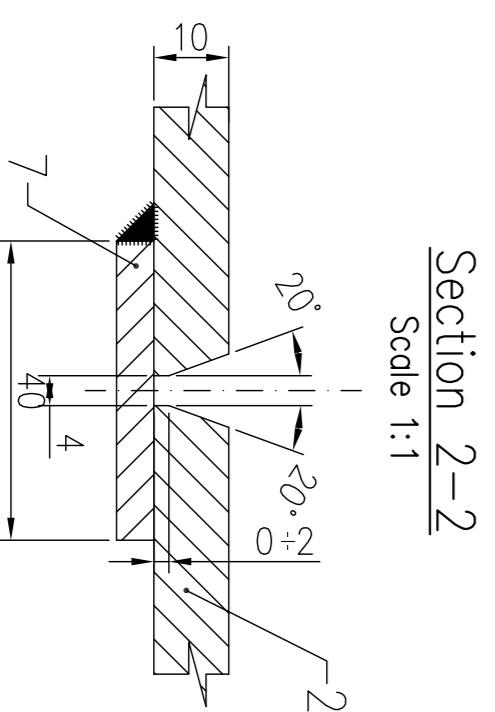
Element 5
Scale 1:10



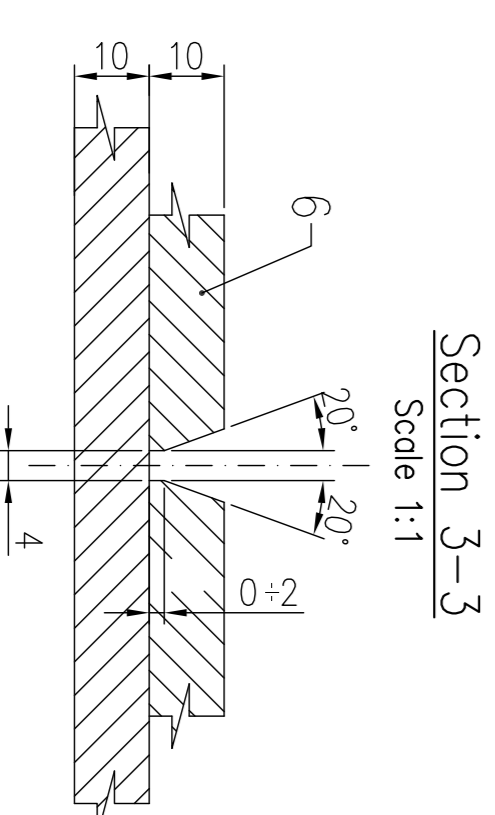
Element 10
Scale 1:10



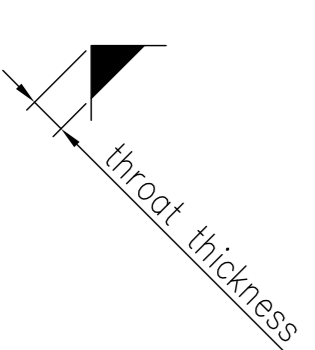
Section 1-1
Scale 1:1



Section 2-2
Scale 1:1



Section 3-3
Scale 1:1



- Remarks:
1. All dimensions without specially noted are in [mm].
 2. Used steels - according to EN 10025.
 3. Prefabrication and erection of steel structure - according to EN 14015:2005.
 4. Welds - according to EN 22553.
 5. Digits in welds shows their throat thickness.
 6. Control of welds - according to EN 14015:2005.
 7. All butt welds should be done with full penetration and fusion. They are on 100 % controlled.

Department "Steel, timber and plastic structures"	
Project	Aboveground Steel Tank
Title	Central Ring of ROOF
Scale	1:10
Student	
Lecturer	
Sheet	AI
Data	
Drawing	