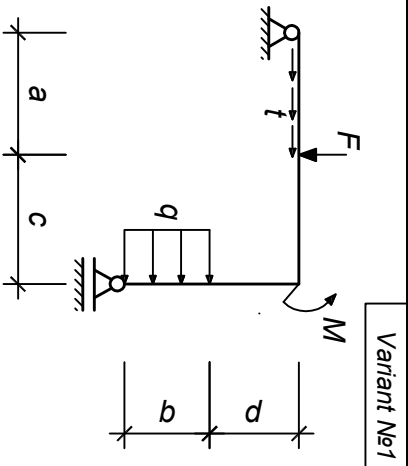
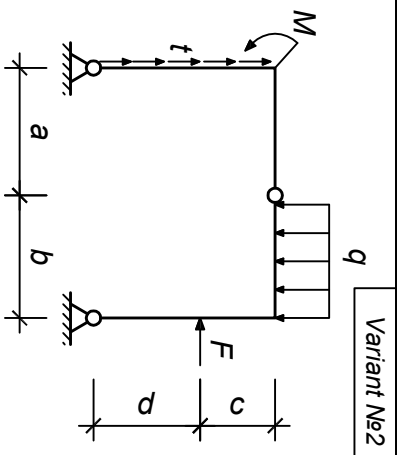


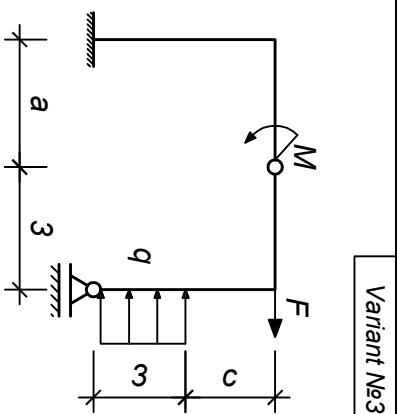
Coursework 2: - Internal forces in planar frames



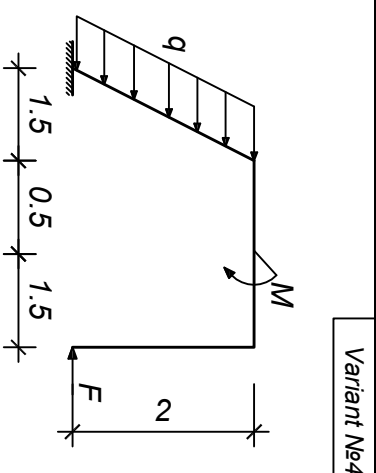
Variant №1



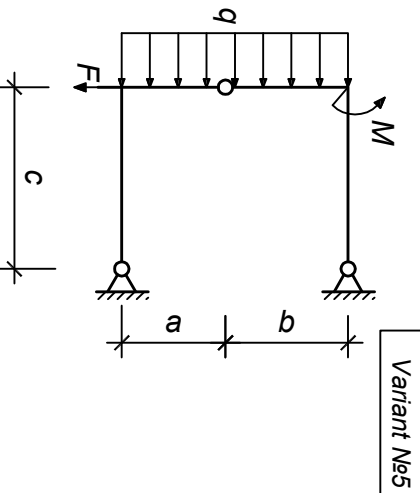
Variant №2



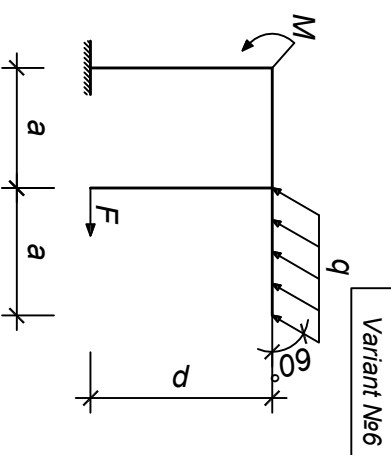
Variant №3



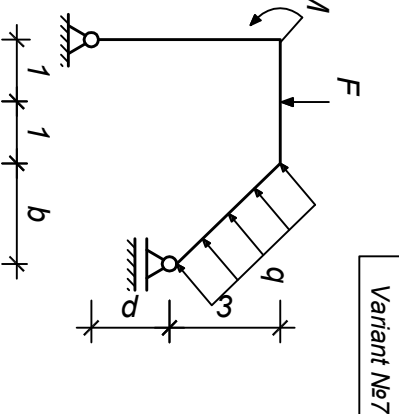
Variant №4



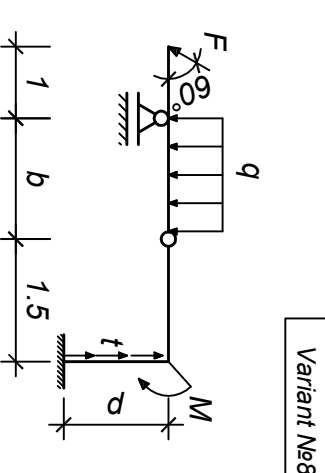
Variant №5



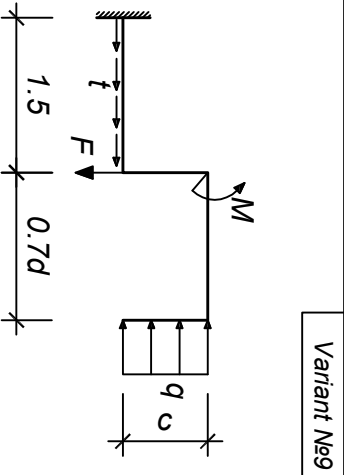
Variant №6



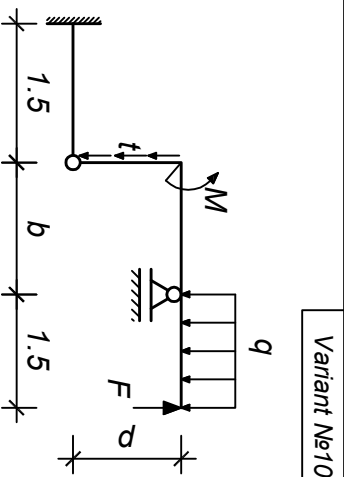
Variant №7



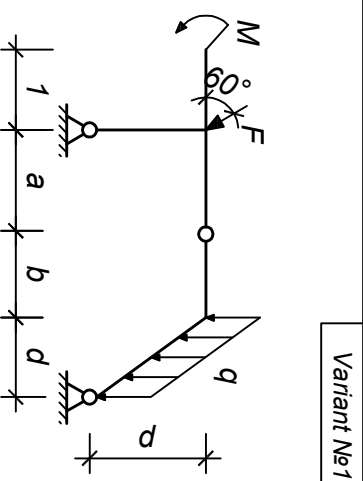
Variant №8



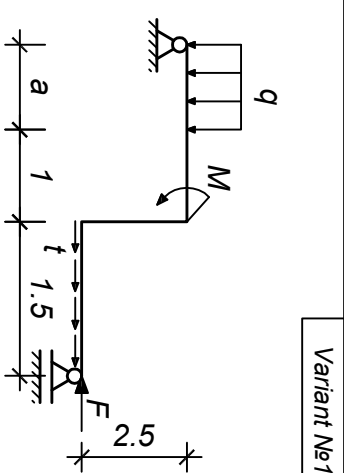
Variant №9



Variant №10

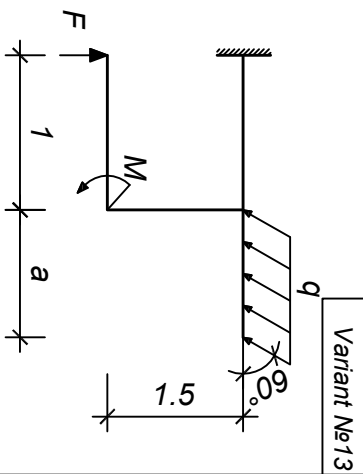


Variant №11

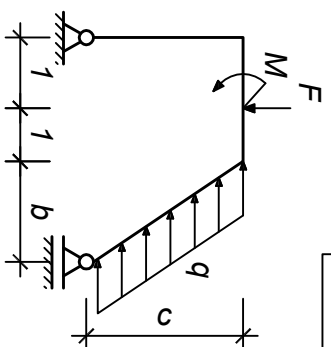


Variant №12

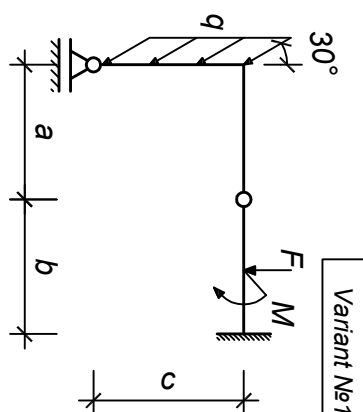
Coursework 2: - Internal forces in planar frames



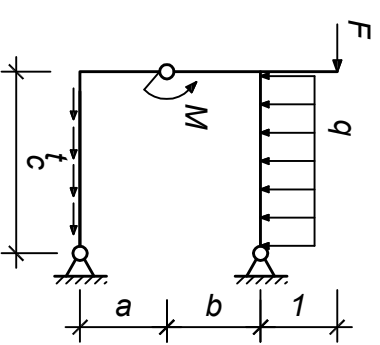
Variant №13



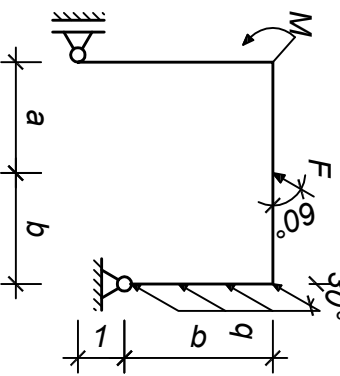
Variant №14



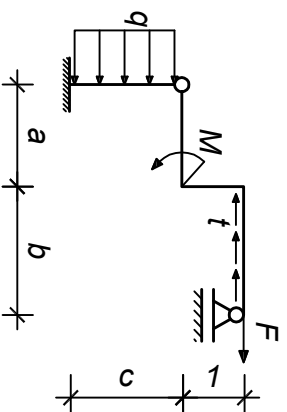
Variant №15



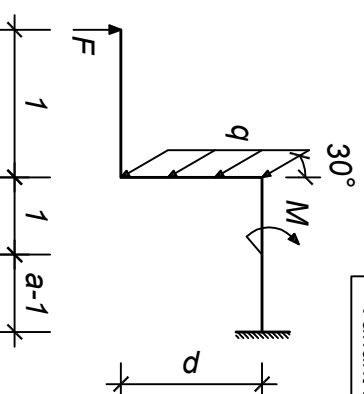
Variant №16



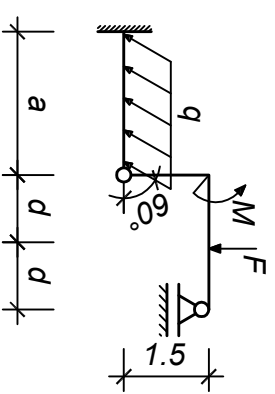
Variant №17



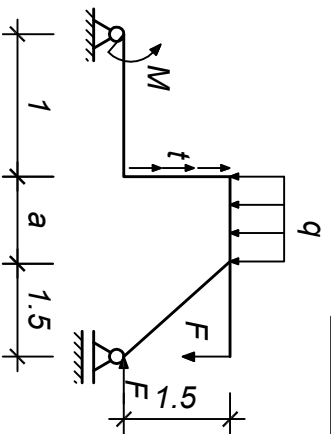
Variant №18



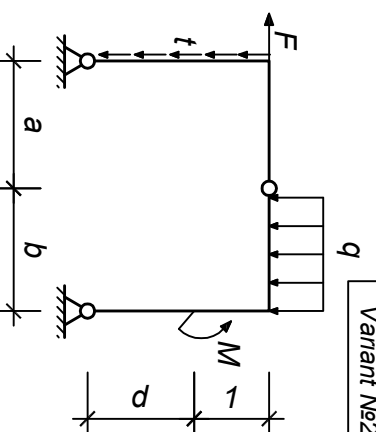
Variant №19



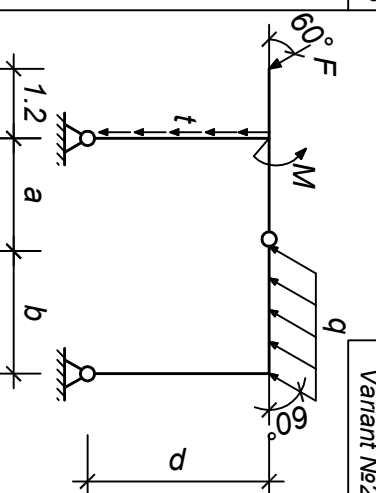
Variant №20



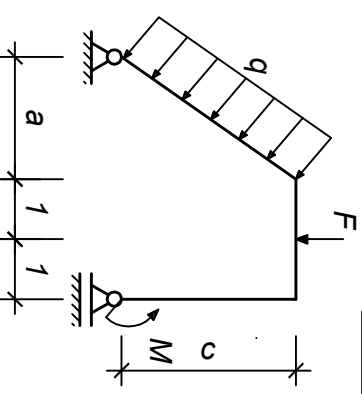
Variant №21



Variant №22



Variant №23



Variant №24

Coursework 2: - Internal forces in planar frames

| | | | |
|--------------------|--------------------|--------------------|--------------------|
| <p>Variant №25</p> | <p>Variant №26</p> | <p>Variant №27</p> | <p>Variant №28</p> |
| <p>Variant №29</p> | <p>Variant №30</p> | | |