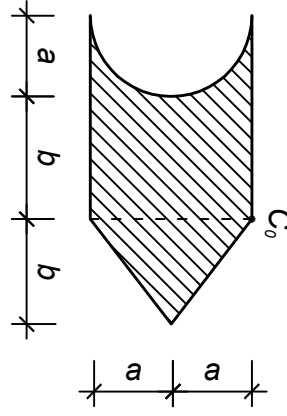
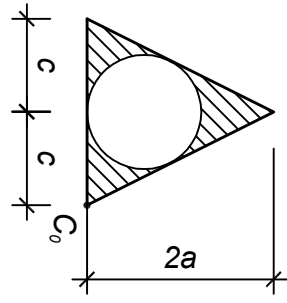


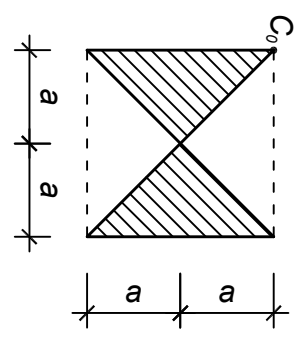
Coursework 11: - Eccentrically loaded members. Kern of the cross-section



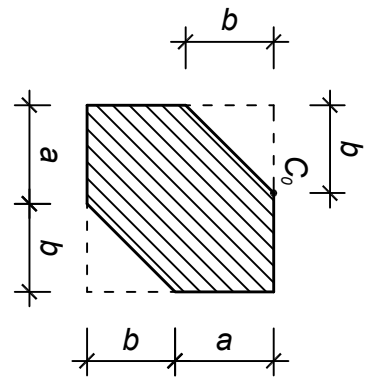
Variant №1



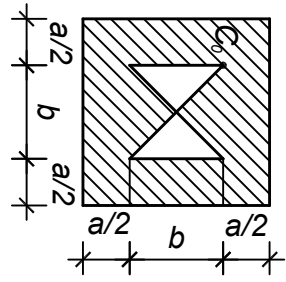
Variant №2



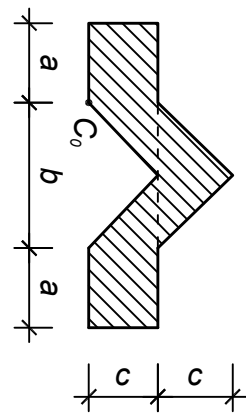
Variant №3



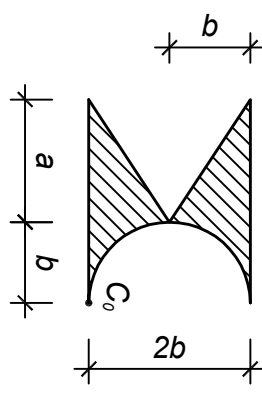
Variant №4



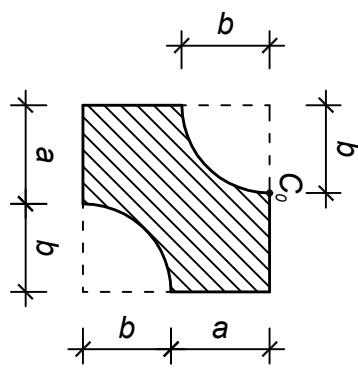
Variant №5



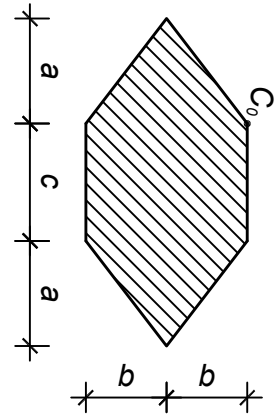
Variant №6



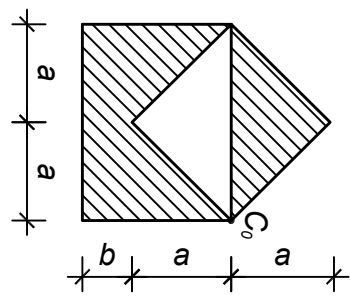
Variant №7



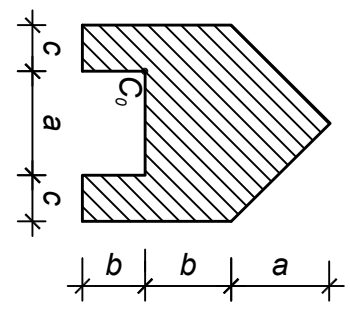
Variant №8



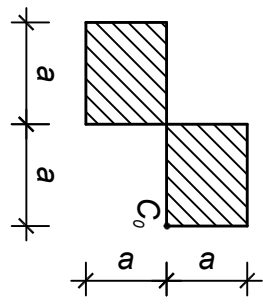
Variant №9



Variant №10

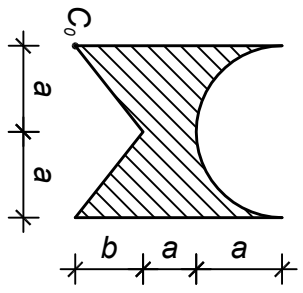


Variant №11

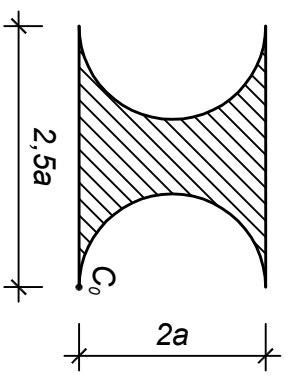


Variant №12

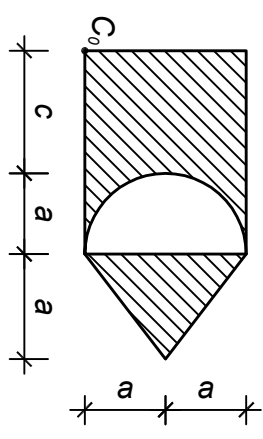
Coursework 11: - Eccentrically loaded members. Kern of the cross-section



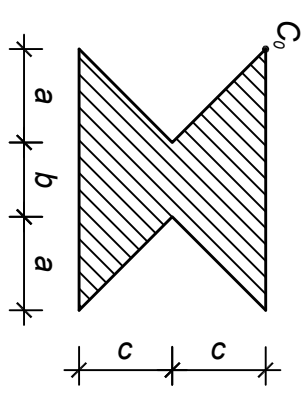
Variant №13



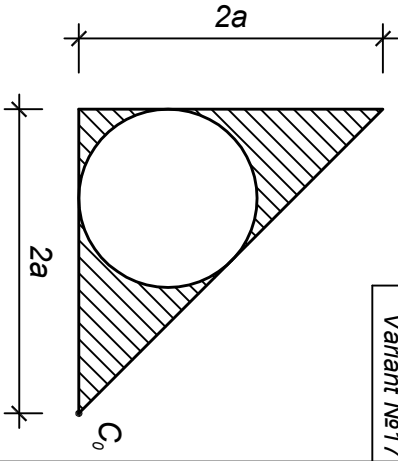
Variant №14



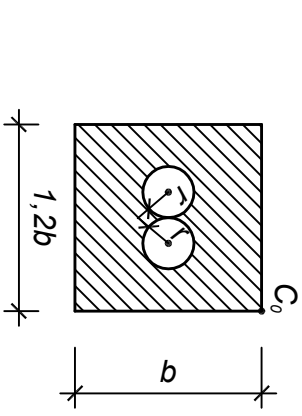
Variant №15



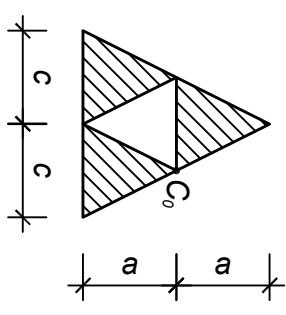
Variant №16



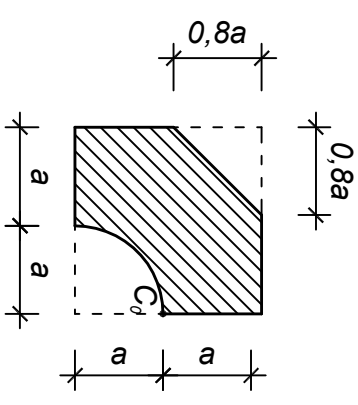
Variant №17



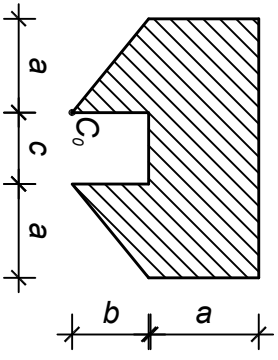
Variant №18



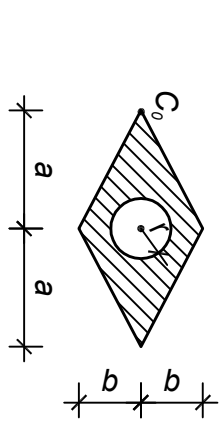
Variant №19



Variant №20

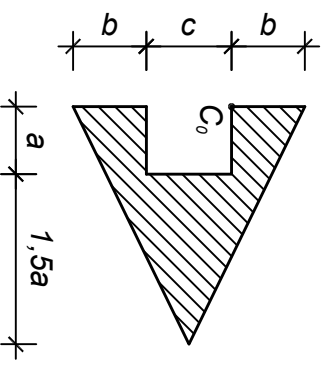


Variant №21

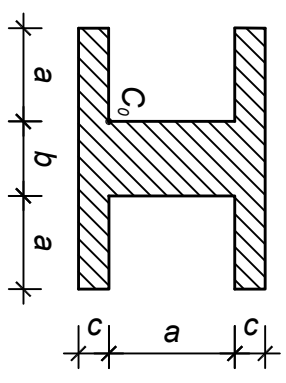


Variant №22

$r=b/3$

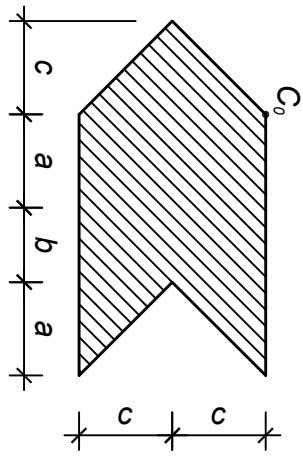


Variant №23

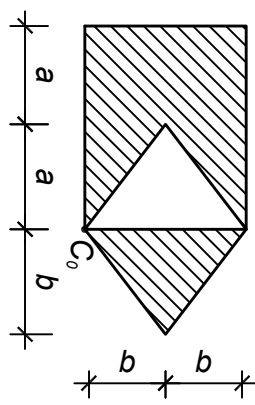


Variant №24

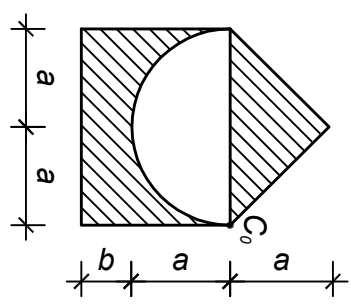
Coursework 11: - Eccentrically loaded members. Kern of the cross-section



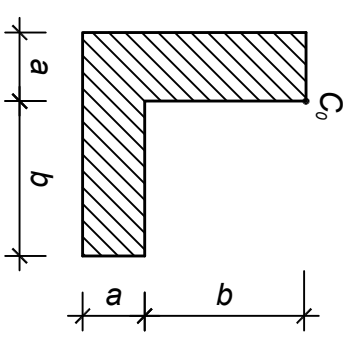
Variant №25



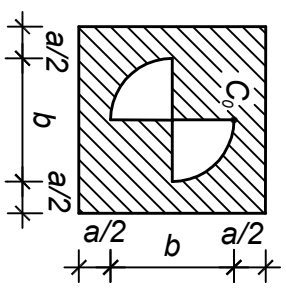
Variant №26



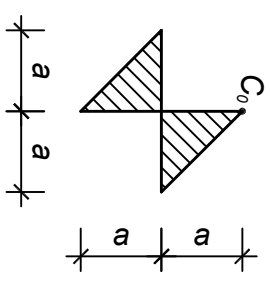
Variant №27



Variant №28



Variant №29



Variant №30